

TBI Motion Ballscrews DFI Series



FEATURES

- 16mm to 80mm Screw Diameters
- 4mm to 10mm Leads
- Dynamic Loads to to 7,346 kgf
- Static Loads up to 31,953 kgf
- Available in Left and Right Helix
- C7 Standard Accuracy
- P1 Standard Preload
- Other Accuracies and Preloads Available Upon Request

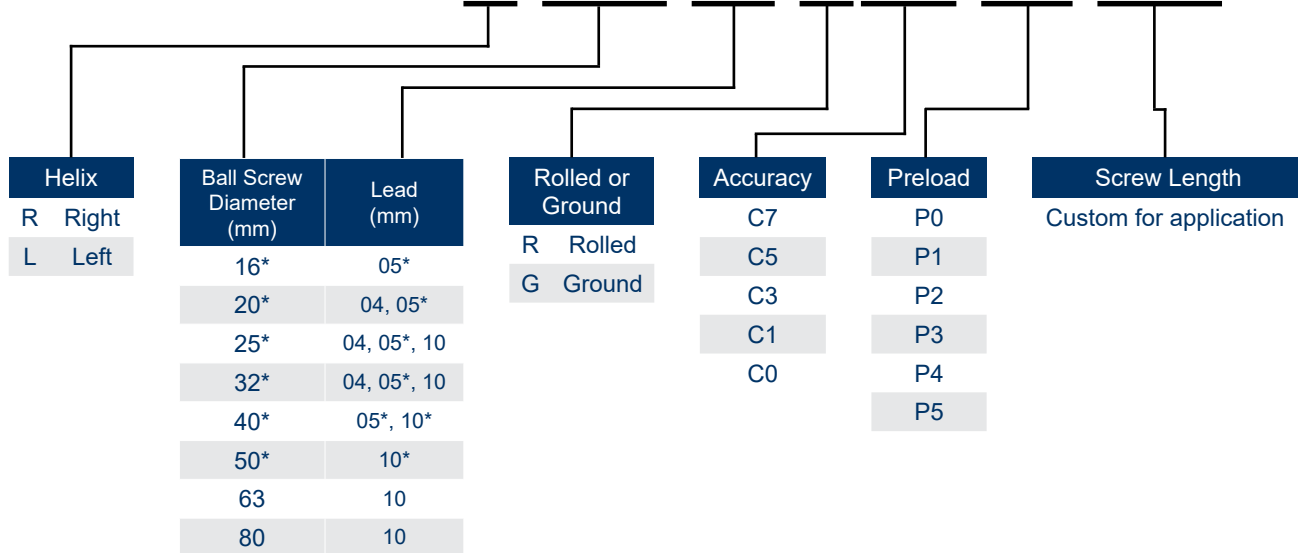


DESCRIPTION

The DFI Series screw has a diameter of 16-80mm with a 4-10mm lead. This assembly provides a dynamic force of 7,346 kgf and a static forces up to 31,953 kgf. The maximum screw length is 7,000mm. The ends of the screw can be customized per your drawing. Please contact Anaheim Automation to discuss your specific requirements.

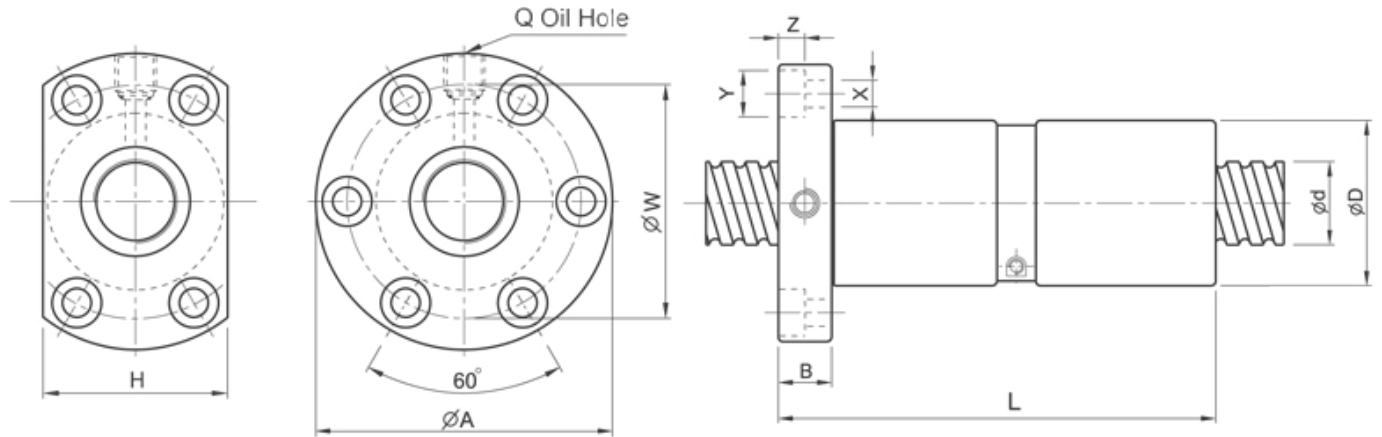
PART NUMBER LAYOUT

BSC-AAM-DFIR-016-05-RC7-P1-750



* =Also available in Left Helix

L011038



Units are in mm

Model No.	d	I: Lead		Da: Ball Dia.		n: Number of Circuits		K: Stiffness (kgf)		H*: Helix		Ca: Basic Dynamic Rating Load (kgf)		Coa: Basic Static Rating Load (kgf)		K	H*	
		l	Da	D	A	B	L	W	H	X	Y	Z	Q	n	Ca			Coa
BSC-AAM-DFIR-016-05	16	5	3.175	30	49	10	100	39	34	4.5	8	4.5	M6	1x4	1380	3052	44	R/L
BSC-AAM-DFIR-020-04	20	4	2.381	34	57	11	80	45	40	5.5	9.5	5.5	M6	1x4	1066	2987	51	R
BSC-AAM-DFIR-020-05	25	5	3.175	40	63	11	101	51	46	5.5	9.5	5.5	M8	1x4	1724	4904	62	R/L
BSC-AAM-DFIR-025-04	25	4	2.381	40	63	11	80	51	46	5.5	9.5	5.5	M6	1x4	1180	3795	60	R
BSC-AAM-DFIR-025-05	25	5	3.175	40	63	11	101	51	46	5.5	9.5	5.5	M8	1x4	1724	4904	62	R/L
BSC-AAM-DFIR-025-10	25	10	4.762	46	72	12	145	58	52	6.5	11	6.5	M6	1x4	2954	7295	68	R
BSC-AAM-DFIR-032-04	32	4	2.381	46	72	12	80	58	52	6.5	11	6.5	M6	1x4	1296	4838	69	R
BSC-AAM-DFIR-032-05	32	5	3.175	46	72	12	102	58	52	6.5	11	6.5	M8	1x4	1922	6343	72	R/L
BSC-AAM-DFIR-032-10	32	10	6.35	54	88	15	162	70	62	9	14	8.5	M8	1x4	4805	12208	83	R
BSC-AAM-DFIR-040-05	40	5	3.175	56	90	15	105	72	64	9	14	8.5	M8	1x4	2110	7988	84	R/L
BSC-AAM-DFIR-040-10	40	10	6.35	62	104	18	165	82	70	11	17.5	11	M8	1x4	5399	15500	99	R/L
BSC-AAM-DFIR-050-10	50	10	6.35	72	114	18	171	92	82	11	17.5	11	M8	1x4	6004	19614	115	R/L
BSC-AAM-DFIR-063-10	63	10	6.35	85	131	22	182	107	95	14	20	13	M8	1x4	6719	25358	135	R
BSC-AAM-DFIR-080-10	80	10	6.35	105	150	22	182	127	115	14	20	13	M8	1x4	7346	31953	156	R

Units are in mm

*PLEASE NOTE - Each standard ball screw includes **one** nut. Additional nuts will be considered a custom request, and will require creation of a special part number.